

Product Information Sheet



Medical



Type SH5917
12V 20W G4

Ordering - No.
55917

Product Description

Special Halogen Lamp

Features

Quartz Bulb, Exactly positioned Filament

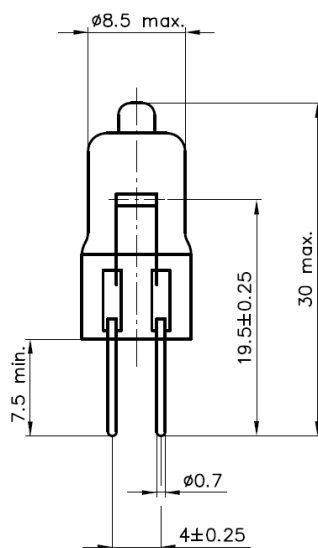
Applications

Medical, Microscope, Analysis

Technical Details

Category	HLL
Rated Voltage (V)	12
Wattage (W)	max. 22
Luminous Flux (lm)	300 - 12%
Average Lifetime (h)	2000
Base	G4
Overall Length (mm)	max. 30
Bulb Diameter (mm)	max. 8,5
Light Center Length (mm)	19,5 ± 0,25
Operating Position	Optional
Packaging Configuration	100 pcs.
Environmental Remark	Product don't contain lead or mercury and is conform with Directive 2002/95/EC "Restriction of the use of certain hazardous substances in electrical and electronic equipment".

Drawing (in mm)



ITT 360
WIR MACHEN VERTRIEB

www.german-lamps.eu

www.ventas-focos-itt360.com

